

TENDER MINI WGT-MD



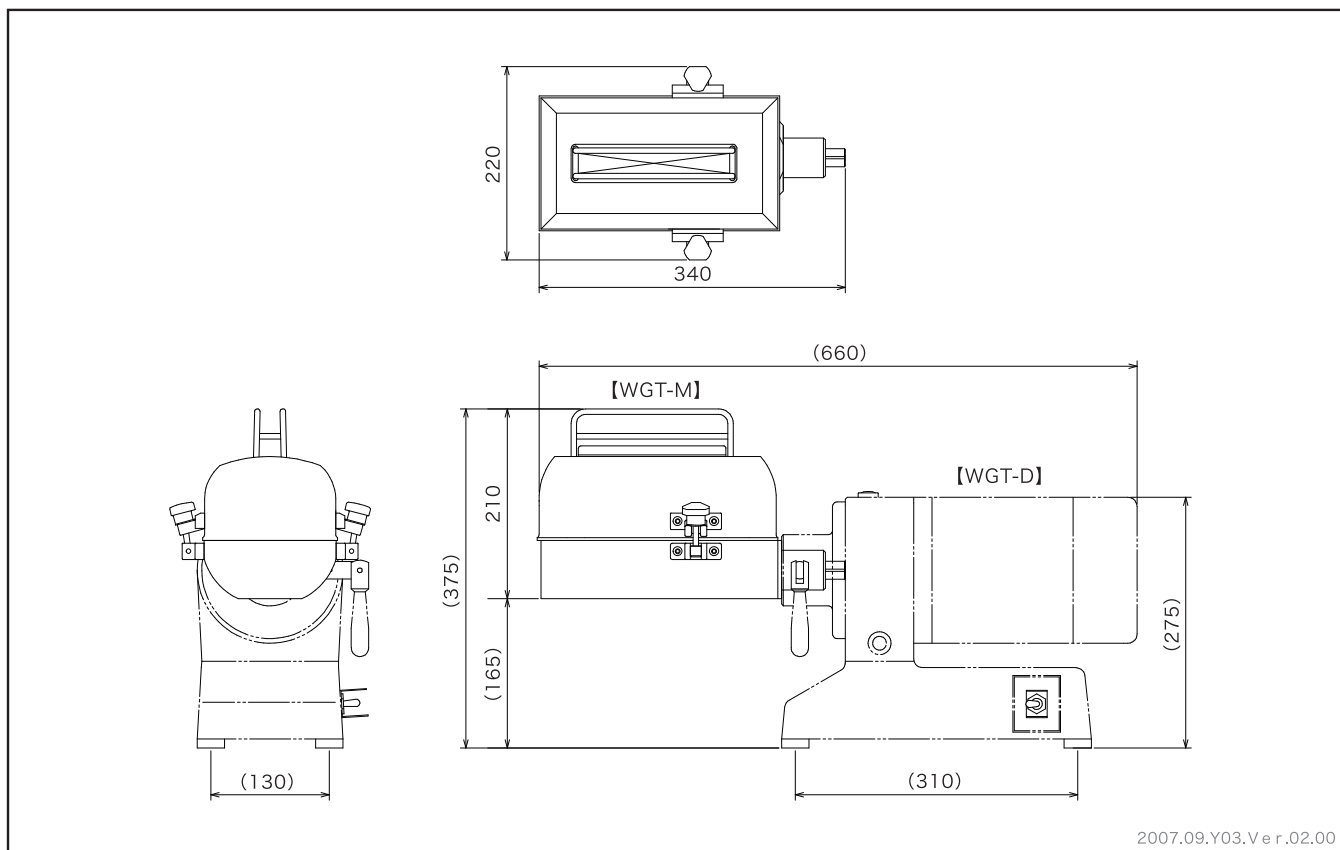
The best meat tenderizer for pork cutlet/steak!



Providing good-performance, ease of use, and safety.

- Tenderizing meat for Steak, Korean BBQ, Cutlet, BBQ, curry and stew.
- Operate is very simple. User-friendly.
- Easy to disassemble and clean.

■ DRAWING Please refer to the drawing for the further information.



■ SPECIFICATION

SIZE	W660xD220xH375mm
POWER SUPPLY	1PH 100V 0.75kW
SLICE SIZE	H22mmxW160mm
CAPACITY	H20mmxW160mm
BLADES	Right:24 Left:23
BLADE PITCH	7mm/2Lines
TEMPERATURE	-2~5°C
WEIGHT	29kg (WGT-M: 7 kg・WGT-D: 22kg)

WATANABE
WATANABE FOODMACH CO.,LTD.

2-12-26 TSUYUHASHI NAKAGAWA-KU NAGOYA JAPAN
TEL052-361-8511 FAX052-361-8490
URL: <http://www.foodmach.co.jp/>

SALES AGENT