

SHARK MINI

WAB20-3A

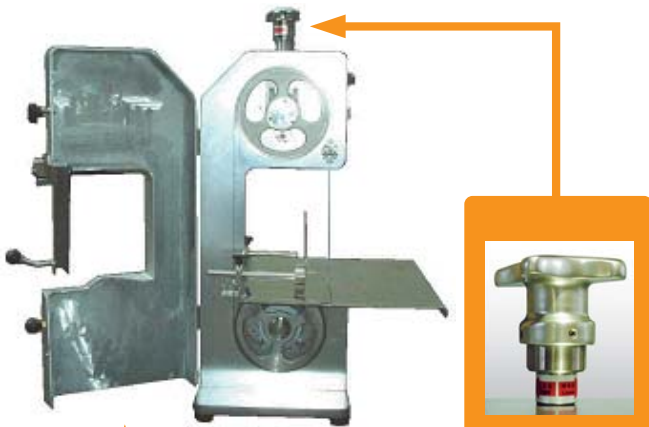


SMALL, BUT HIGH QUALITY! BEAUTIFUL CUTTING EDGE!!



HIGH QUALITY, EFFICIENCY AND SAFETY

- Various products as frozen meat, frozen fish, frozen vegetable, born-in meat, poultry, lobster, crab or many other products can be cut.
- No tool for disassembling, it is easy to be cleaned up.



SAFETY DEVISE

The machine automatically stops when the door is opened.

TORQUE LIMIT MISSION

The tension of the blade is always stable. No need to worry about too much/little tension.

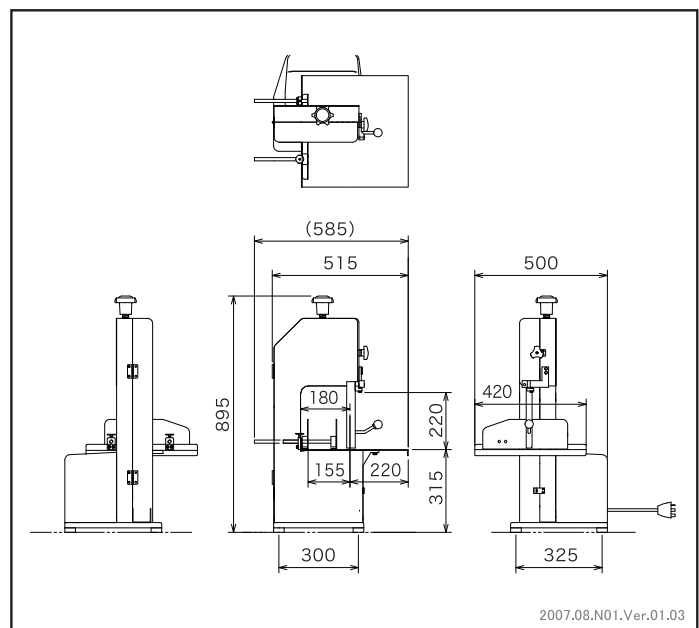
SANITARINESS

- The flat main frame gives easy cleaning time.
- The aluminum coating main body is strong against the rust.
- It has stainless steel wheels.
- It is with the meat dust box.

QUALITY AND EFFICIENCY

- The high speed wheel rotation gives the beautiful cutting edge.
- The torque limit mission keeps the stable tension of the blade.
- The fence guard helps the straightness of products.

■ DRAWING Please refer to the drawing for further information .



■ SPECIFICATION

DIMENTION	W515×D500×H895mm
FLOOR SIZE	W340×D365mm
TABLE SIZE	W400×D400mm
MOTOR	3P 200V 0.4kW
BLADE SPEED	915m/min. (50Hz) 1,110m/min. (60Hz)
MAX. PROCESS SIZE	W180XH220mm
BLADE SIZE (STANDARD)	W16XL1600XT0.5mm
WHEEL DIAMETER	205mm
WEIGHT	45 kg

WATANABE
WATANABE FOODMACH CO.,LTD.

2-12-26 TSUYUHASHI NAKAGAWA-KU NAGOYA JAPAN
TEL052-361-8511 FAX052-361-8490
URL : <http://www.foodmach.co.jp/>

SALES AGENT