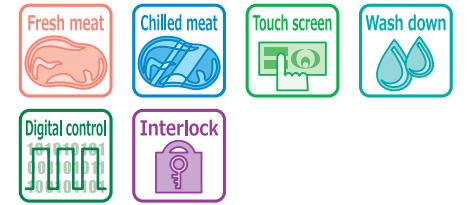


Hushed slice model view



WATANABE

PLANET NEO WPN-N280



For high volume hushed slices? The answer is here.



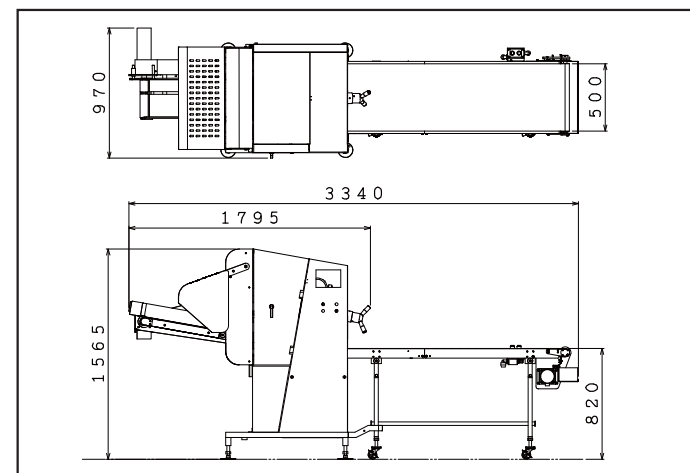
Production line sample

Product	Pork hock/Pork ham	Operator	Feeding: 1 person Tray packing: 8 persons
Machine	Planet type R Dual conveyer 6m	Processed amount	579kg
Slice spec.	Thickness: 2.6mm Speed: 220/min.	Process ratio	98.5%
		Production/hour	350kg/h

■ SPECIFICATION

Dimension	W3340xD970xH1565mm
Weight	370kg(Conveyer excluded)
Max. slice size	W280xH100xL900mm
Thickness	0.5~20mm (Depends on products)
Speed	50-240/min.
Slice temperature	-2~+4°C (Depends on products)
Rating electricity	Inlet 2.08kW Rating electric current 11.1A
Rating power consumption	0.62kW (50/60Hz with no overloaded)
Power supply	3P 200V 50/60Hz 20A

■ DRAWING Please refer to the drawing for further information .



WATANABE
WATANABE FOODMACH CO.,LTD.

2-12-26 TSUYUHASHI NAKAGAWA-KU NAGOYA JAPAN
TEL052-361-8511 FAX052-361-8490
URL: <http://www.foodmach.co.jp/>

SALES AGENT



Feeding conveyer

300mm more than old model. Now it can have more waiting products and easy feeding operation.



Sharper slice ! and less slice loss !!

Meat feeding and blade part are retrofitted. Products are held in good. Also more accurate feeding gives the sharper slice. Less slice loss is the result of the retrofit of the blade part.



Sanitary engineering

The slice part can be washed down. It gives you less cleaning time.



Simple control

Colour touch screen
Easy operation and item data can be saved.



Operation screen

Item data screen

Wide conveyer

The wide conveyer can feed products. This conveyer can be arranged with your line.



Wide range of slice items.

Hushed slice



Pork belly



Hushed pork loin



Pork ham hushed



Safety interlock system

There are interlock systems for every opening/closing part. All of the condition can be visible with the control screen.

