

# MINI DELUXE WMD



PACKED UP WATANABE SLICER TECHNOLOGY,  
ONE MACHINE GIVES YOU A LOT OF POSSIBILITIES.

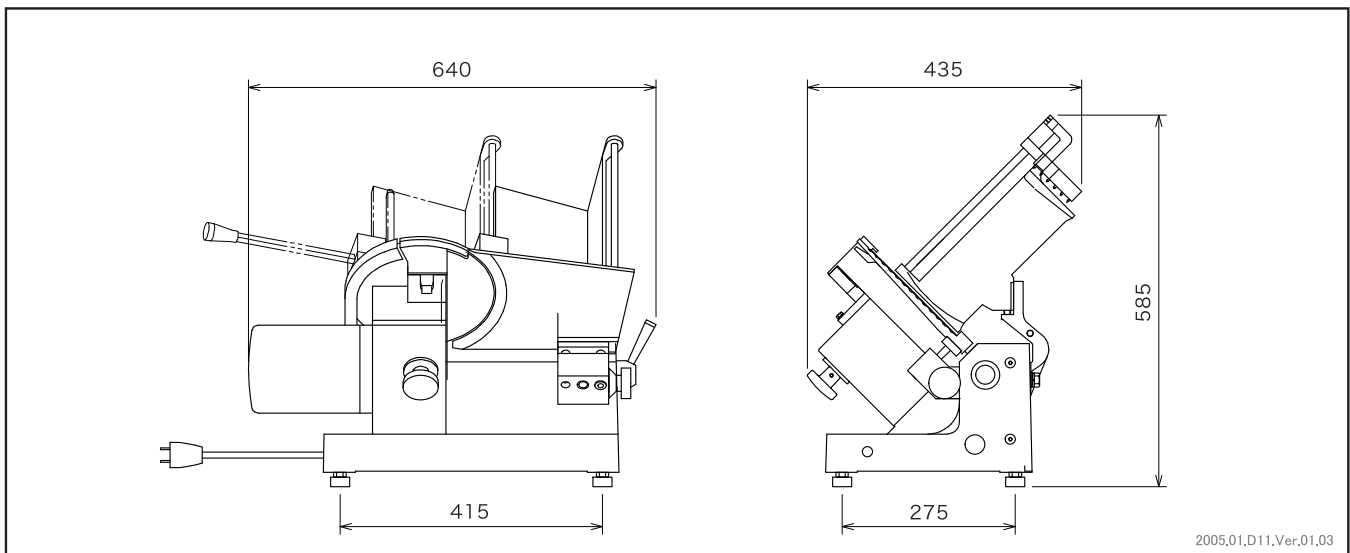


# MINI BODY WITH HIGH QUALITY FOR EASY OPERATION AND SAFETY

- It is easy to be taken apart parts for your easy cleaning.
- It is always clean, less-stain and less-rust with the special aluminum coating and stainless steel.
- The special gear drive for the drive the smooth operation.
- The easy dial thickness adjustment and easy change of the manual mode and automatic mode by the clutch.
- Ham, sausage, roast beef...various products can be sliced.



■ DRAWING Please refer to the drawing for further information .



## ■ SPECIFICATION

DIMENTION	W640×D435×H585mm
ELECTRIC CURRENCY	SINGLE PHASE 100V 0.2kW
SLICE CAPACITY	42 SLICES/MIN.(50Hz) 52 SLICES/MIN(60Hz) AUTOMATIC OPERATION
MEAT CARRIAGECAPACITY	○/φ150mm or □/W130XL280mm
SLICE TEMPERATURE	PROCESSED PRODUCTS: -2~5°C(DEPENDS ON MEAT, SHAPE and THICKNESS)
SLICE THICKNESS	~20mm
BLADE DIAMETER	φ250mm
WEIGHT	36.5 kg

**SAFETY CAUTION**

- Please pay attention the circular blade.
- The earth cable must be connected properly.
- Do not splash the water into the machine.
- Please set the safety guard for preventing any danger from the back and forth motion of the meat carriage.
- Born-in meats must not be sliced.
- Please pay attention to the driving and rotating part when the machine is working.

**WATANABE**  
WATANABE FOODMACH CO.,LTD.

2-12-26 TSUYUHASHI NAKAGAWA-KU NAGOYA JAPAN  
TEL052-361-8511 FAX052-361-8490  
URL:<http://www.foodmach.co.jp/>

SALES AGENT