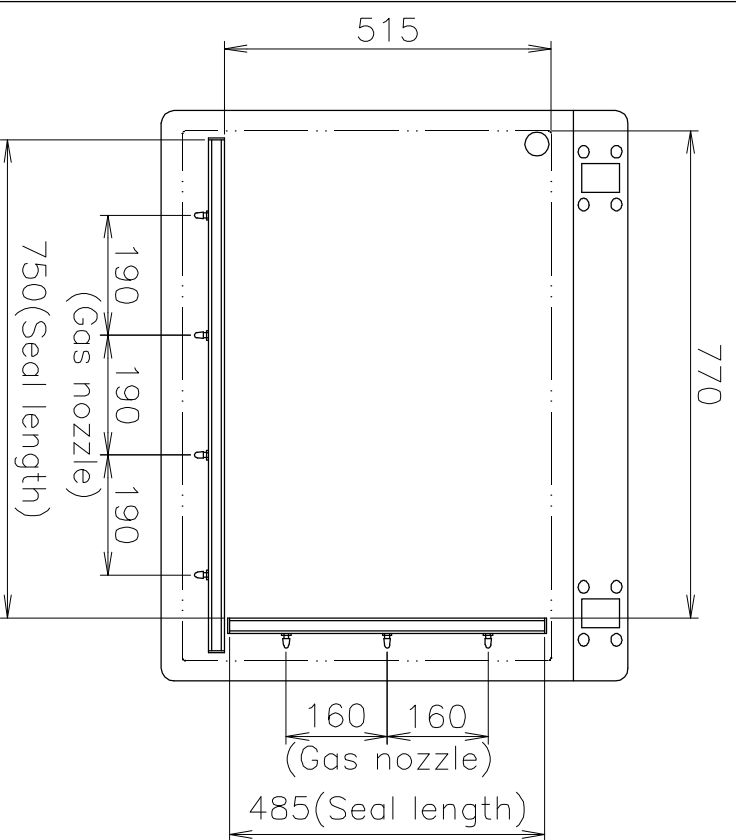
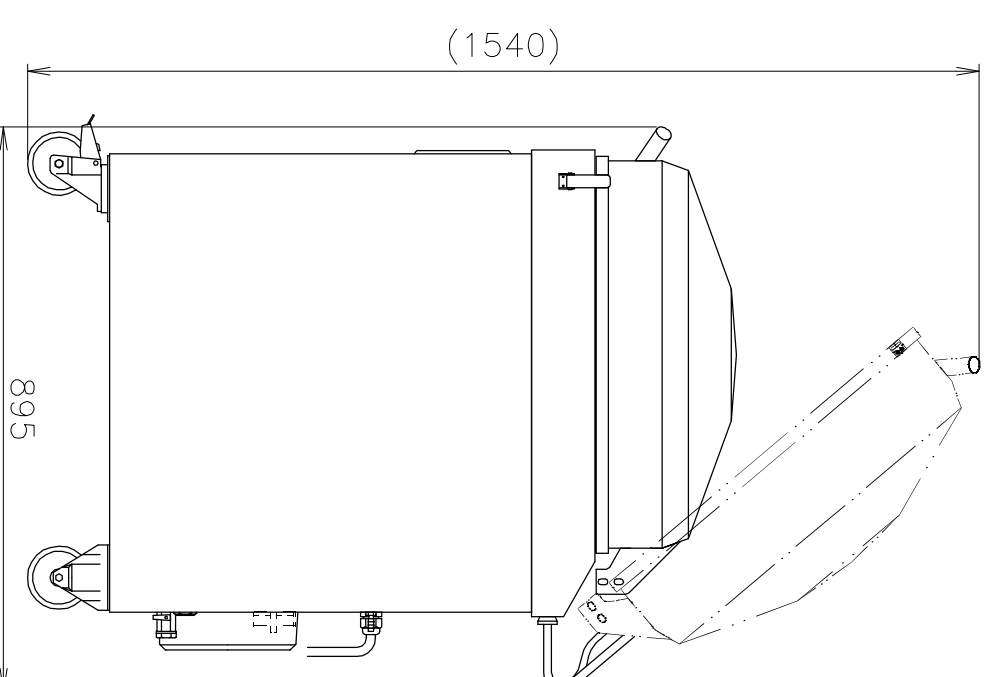
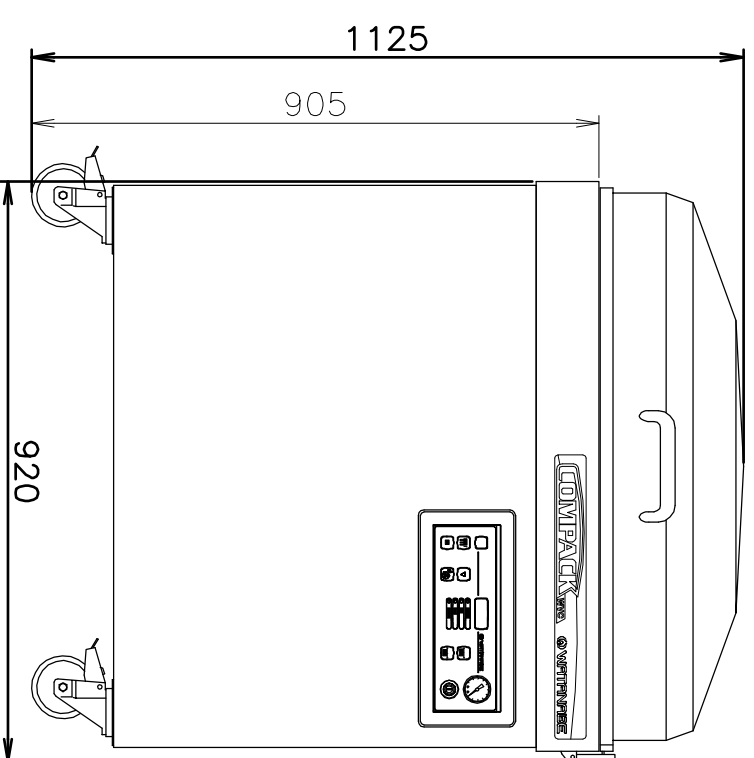
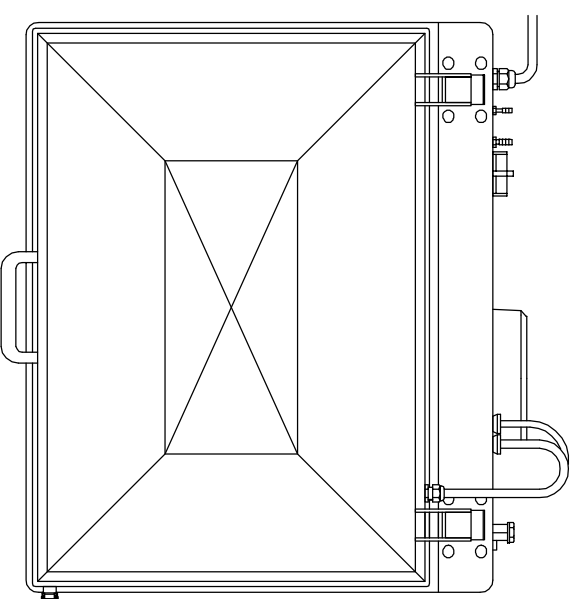


Model	Compack P 400 L (G) *		
Item No.	WVC - P 400 L (G) *		
Dimensions (m)	Width	920	
	Depth	895	
Weight (kg)	Height	1 125	
	Width	251	
Chamber size (mm)	Depth	750	
	Height	485	
Seal length	Max. 200		
Seal bar	750 mm x 1 bar 485 mm x 1 bar		
Pump capacity	2 bars at front and right side 100m ³ /h		

* Optional Gas flush function is available.



Chamber detail



The specifications and appearance are subject to change without notice.