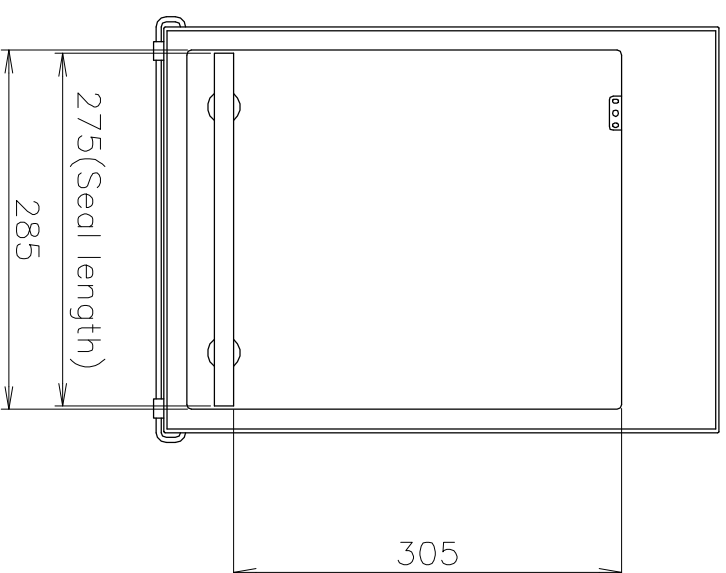
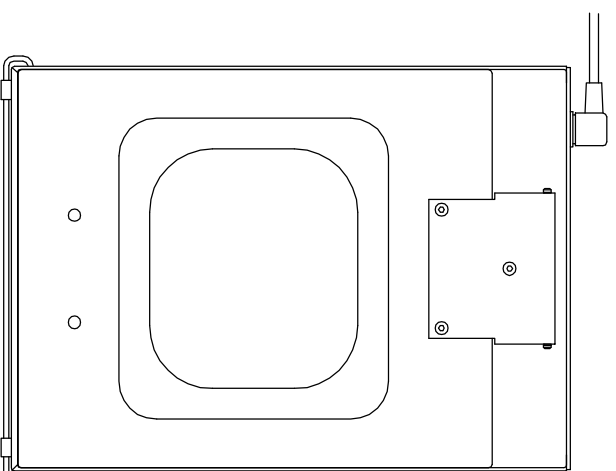
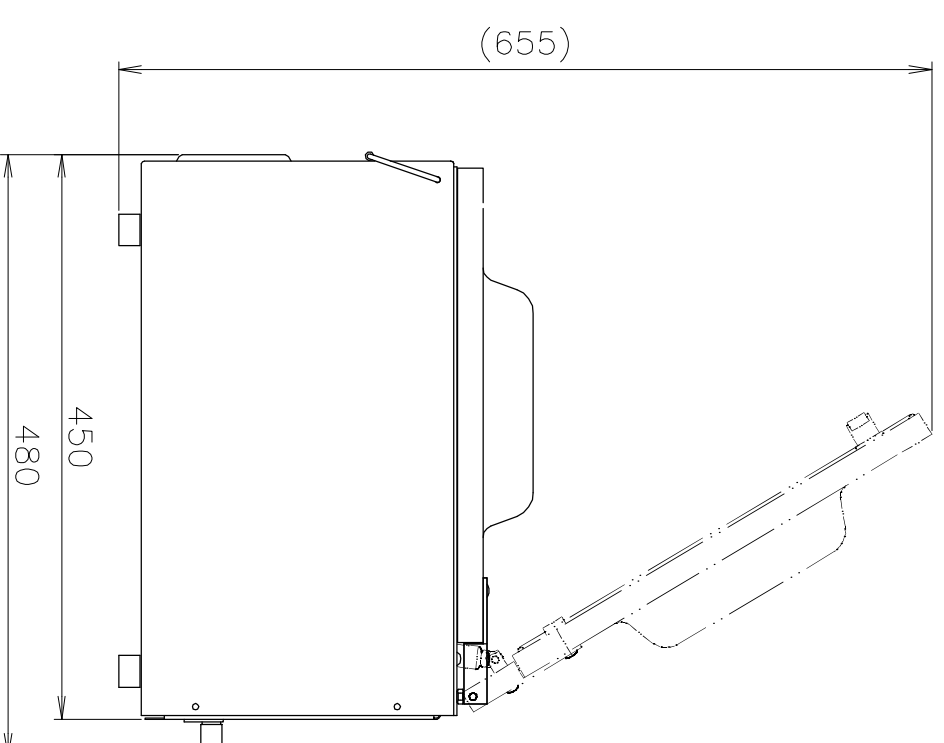
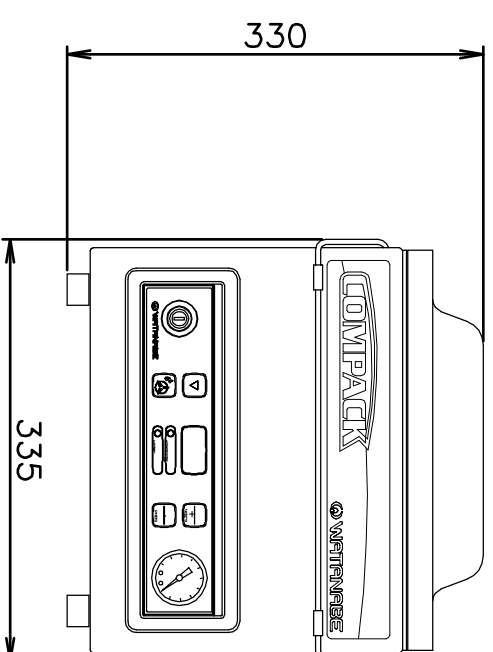


Model	Compack J280B		
Item No.	WVC - J280B		
Dimensions (m)	Width	335	
	Depth	480	
Weight (kg)	Height	330	
		35	
Chamber size (mm)	Width	275	
	Depth	305	
Seal length	Max. 130		
Seal bar	275 mm x 1 bar		
Pump capacity	1 bar at front 8m ³ /h		



Chamber detail



The specifications and appearance are subject to change without notice.