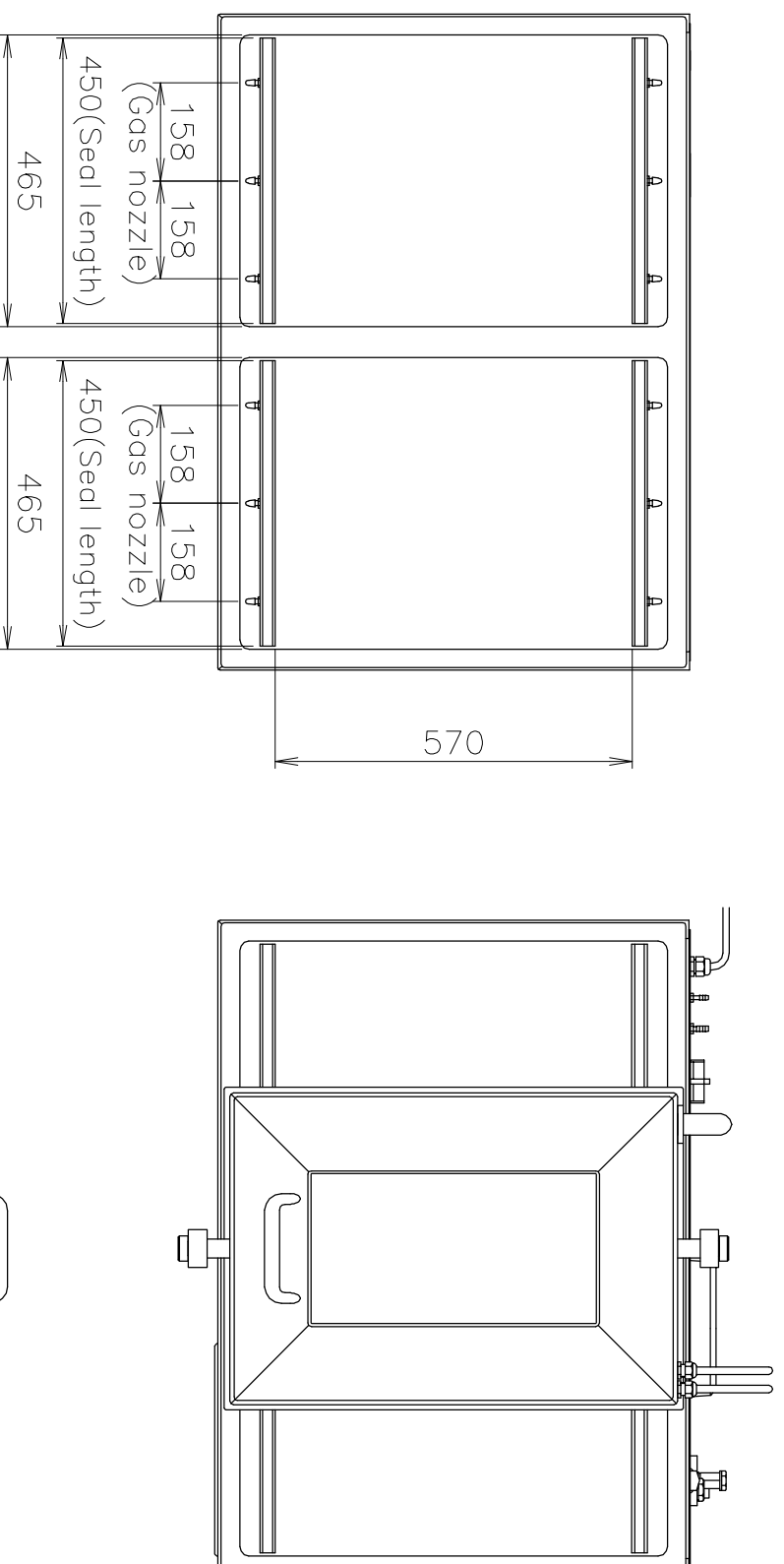
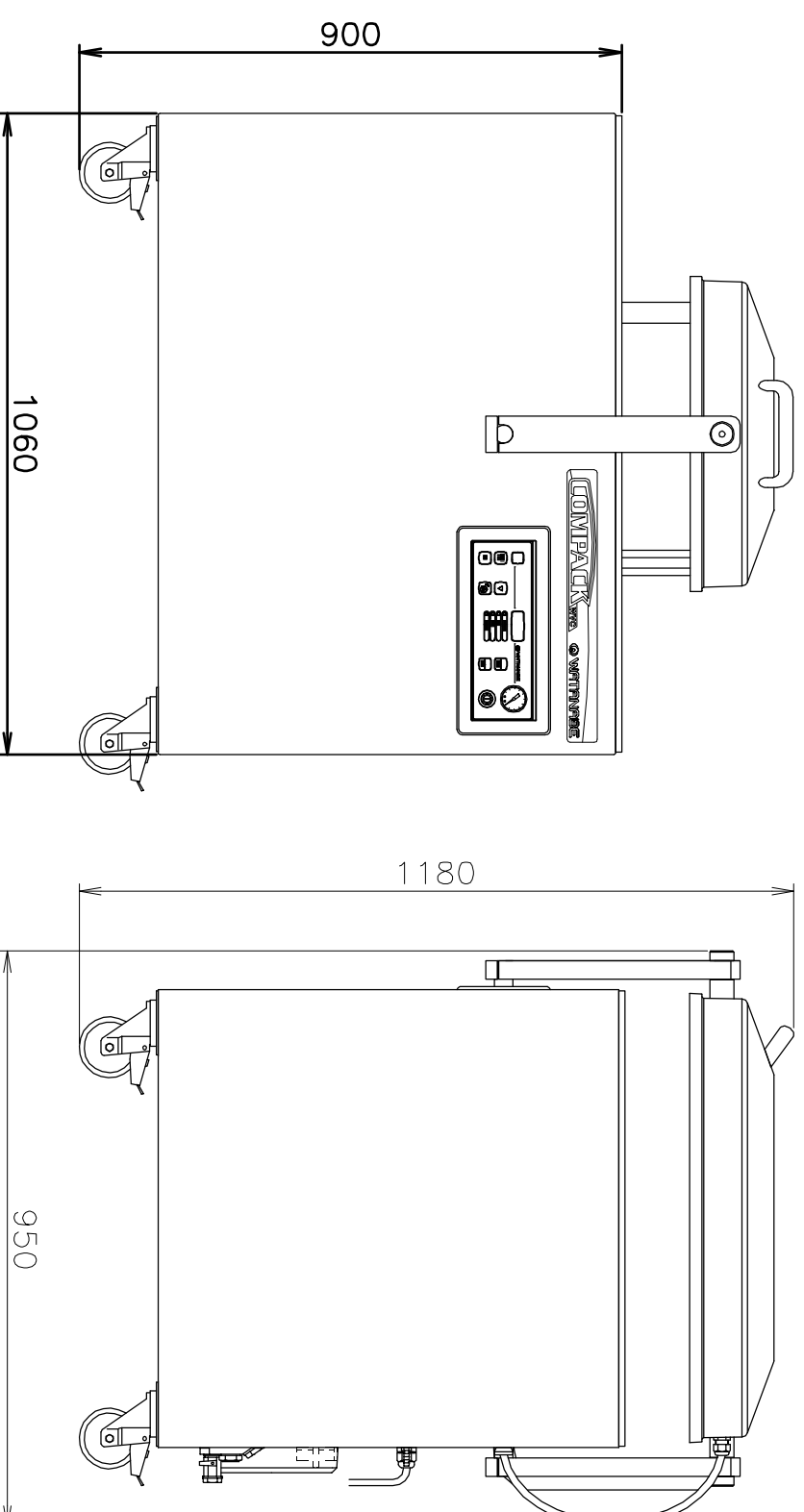


Model	Compack F 5 00 (g) *		
Item No.	WVC - F500 (g) *		
Dimensions (m)	Width	1 060	
	Depth	950	
Weight (k g)	Height	1 180	
	Width	210	
Chamber size (m)	Depth	450	
	Height	570	
Seal length	Max. 220		
Seal bar	45 0 mm x 2 bars		
Pump capacity	2 bars at front and back side 63m <sup>3</sup> /h		

\* Optional Gas flush function is available.



Chamber detail



The specifications and appearance are subject to change without notice.