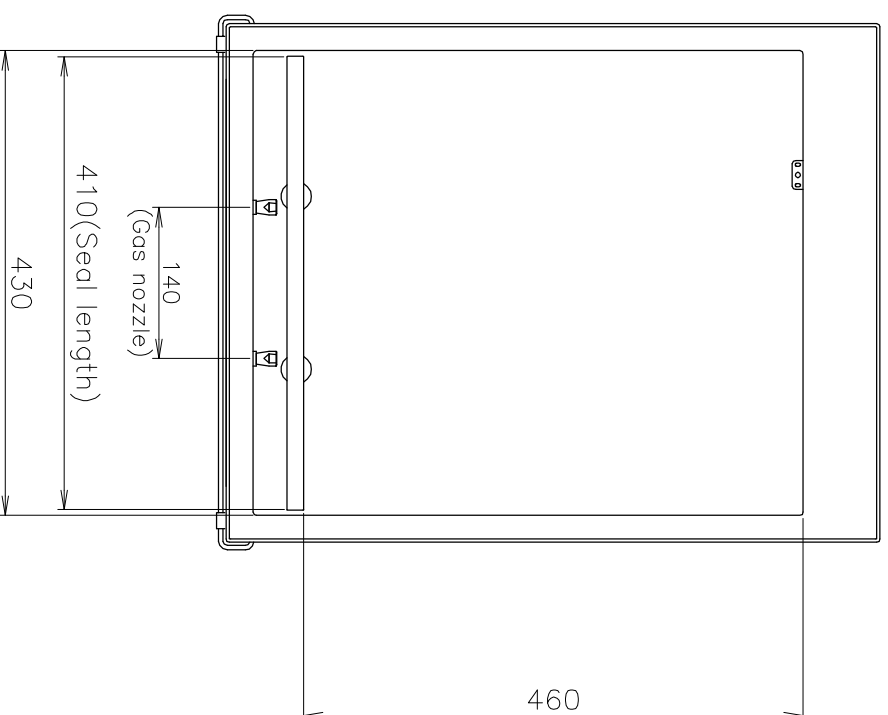
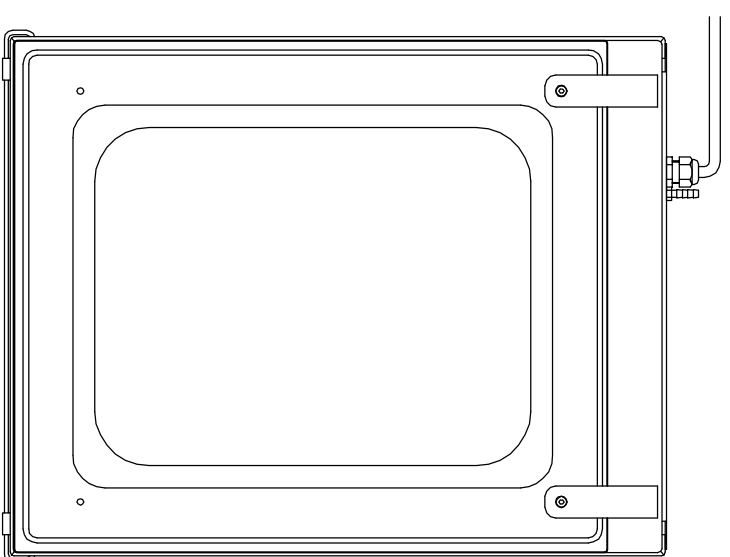
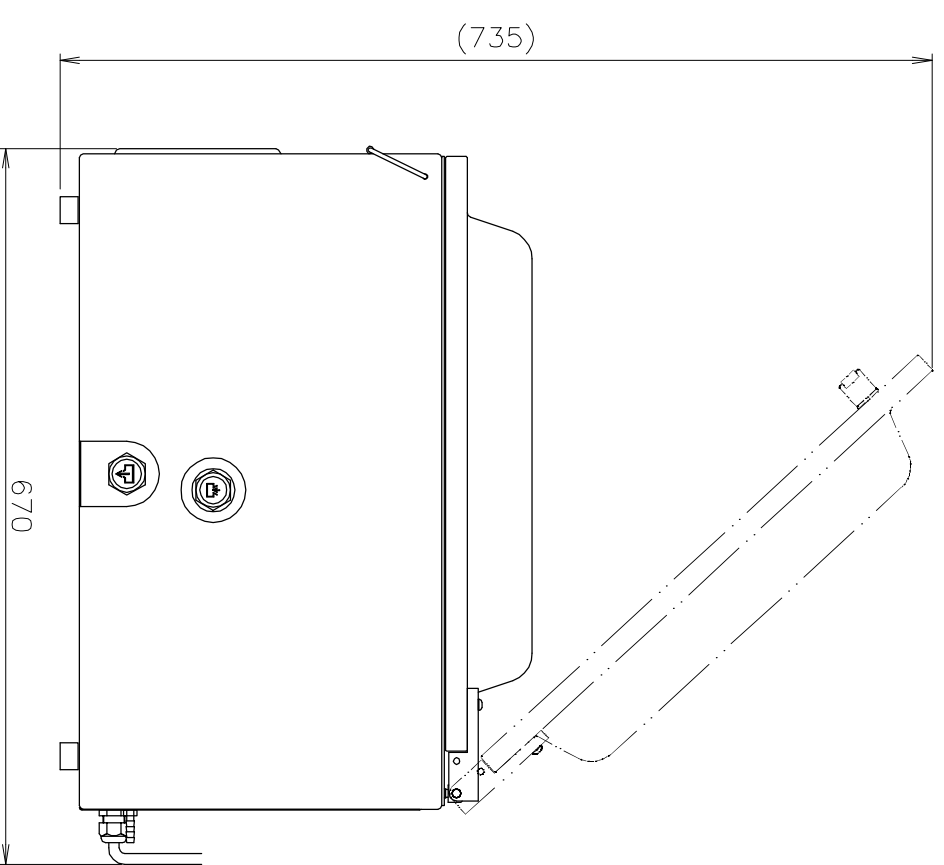
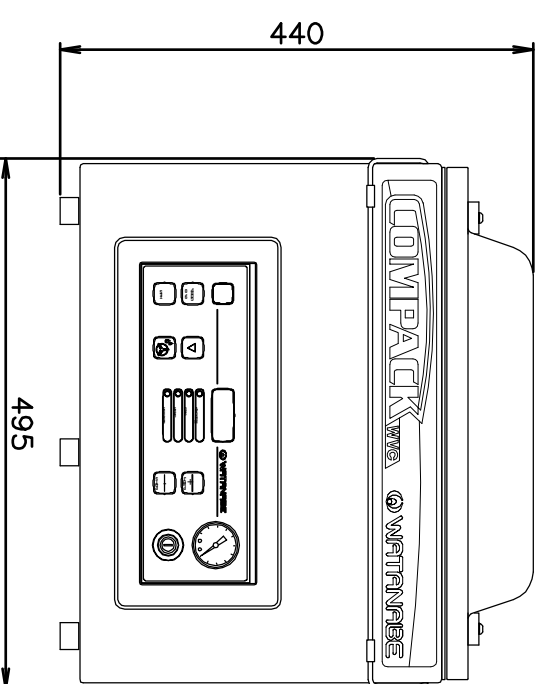


Model	Compack B 420 (G) *		
Item No.	WVC - B 420 (G) *		
Dimensions (m)	Width	495	
	Depth	670	
Weight (kg)	Height	440	
		66	
Chamber size (mm)	Width	410	
	Depth	460	
Seal length	Height	Max. 200	
		410 mm x 1 bar	
Seal bar	1 bar at front		
Pump capacity	21m ³ /h		

* Optional Gas flush function is available.



Chamber detail



The specifications and appearance are subject to change without notice.